



## TYPE: T24-RM1



# T24-RM1 Telemetry Relay Output Module

## Description

The T24-RM1 is a wireless receiver with relay output offering dual power relays capable of mains power switching. Each relay can be configured as high, low or window alarms and can be associated with a group of up to eight T24 transmitters.

Relays can be latched and a digital input or external command can be used to reset them. They can operate when the sum of the assigned transmitter modules reach a setpoint or when any of the modules reach the setpoint. There is also a mode where the difference between the lowest and highest value is compared to the setpoint.

An alarm/error signal relay is operated if communication is lost or other selectable errors occur and this alarm resets once the source of the alarm or error is removed.

The data sent by transmitter modules can be utilised by multiple receivers such as displays, handheld readers, analogue outputs, relay modules and computer interfaces. Receivers support common industrial power supplies and are available in robust IP rated enclosures with internal antennas optimised to give outstanding coverage.

The T24 Toolkit offers a fast and simple way to configure the relays operation and set-point values which are entered in the engineering units of the associated transmitter modules.

The licence free 2.4GHz direct sequence spread spectrum (DSSS) radio technology offers high integrity, error free communications which can co-exist with other wireless technologies such as Wi-Fi, Bluetooth® and Zigbee®. FCC, ETSI and IC approvals.

This module is supplied as standard in an IP67 case, but a DIN rail option is available.

LCM Systems can supply the T-24 products integrated into various sensors, to form a wireless load cell system. There are several standard products which utilise the T24 range, including the TELS HACK, WLL and RILL ranges.

Please contact LCM's sales department to discuss your wireless load cell requirements.

## Specification

Number of power relays	2
Type of power relay	SPCO
Power relay contact rating	5A @ 240 V ac
Number of alarm relays	1
Type of alarm relay	SPCO
Alarm relay contact rating	1A @ 24 V dc
Number of digital inputs	3
Type of digital input	Volt free contact
Power supply voltage	9 to 32 Vdc
Supply current at 12V (typical)	150mA
Radio type	Licence exempt transceiver
Radio frequency	2.4GHz
Transmit power	10mW
Range	Up to 800m (2,600ft)
Operating temperature range	-20 to +50 °C
Storage temperature	-40 to +85 °C
Maximum humidity	95% non condensing
Cable size	Ø4 to 8mm
IP rating	IP67/Nema4

## Features

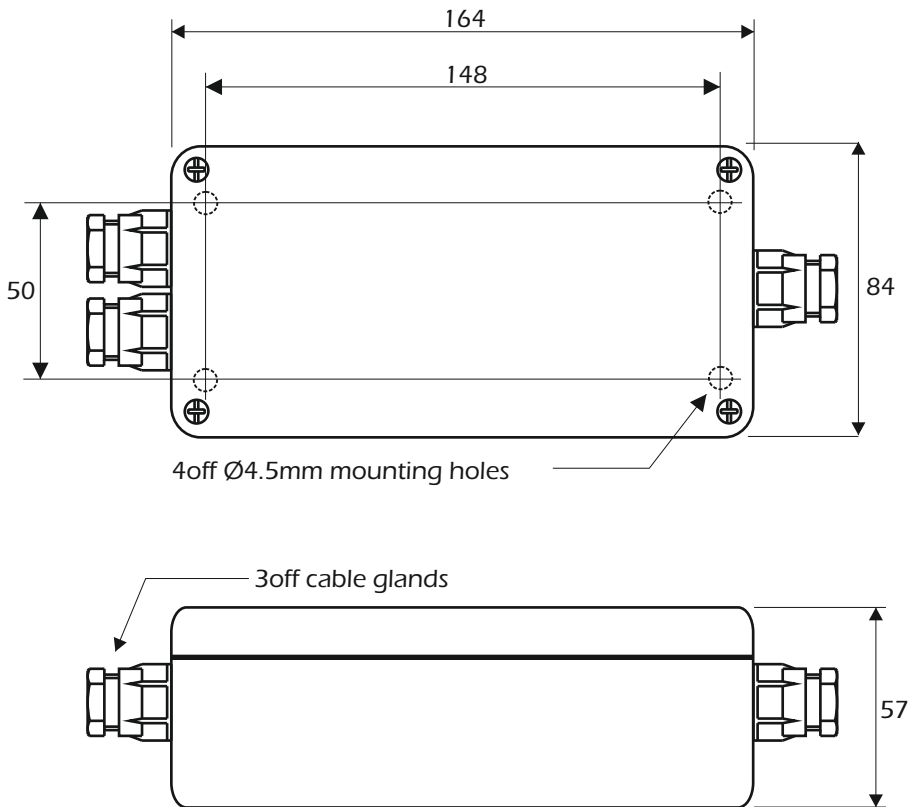
- Accepts up to 16 inputs from T24 wireless transmitters and triggers a range of selectable output actions
- Offers dual 240V AC 5amp relays for control and alarms for T24 transmitters
- Configurable latching, inversion and hysteresis
- Wide operating supply range
- Up to 800m (2,600ft) wireless range
- Simple wireless configuration and calibration
- Environmentally sealed to IP67

## Typical Applications

- Wireless load shackles/load links
- Platform weighing
- Vehicle weighing
- Rotating machine force measurement
- Balancing systems
- Simple centre of gravity

# T24-RM1 Telemetry Relay Output Module

## Dimensions



All dimensions are in mm



www.lcmsystems.com



**SCIGATE AUTOMATION (S) PTE LTD**

No 1 Bukit Batok Street 22 #01-01 Singapore 659592  
 Tel: (65) 6561 0488 Fax: (65) 6561 0588  
 Email: sales@scigate.com.sg Web: https://scigate.com.sg/

Business Hours: Monday - Friday 8:30AM - 6:15PM

CE Complies with EMC directive. 2004/108/EC

FC The Radio Equipment and Telecommunications Terminal Equipment (R&TTE) Directive, 1999/5/EC. Family: RAD24

Industry Canada Industry Canada IC:7224A-RAD24

### LCM Systems Ltd

Unit 15, Newport Business Park, Barry Way  
 Newport, Isle of Wight PO30 5GY UK  
 Tel: +44 (0)1983 249264  
 sales@lcm systems.com  
 www.lcm systems.com

### LCM Systems (România)

Strada Ștefan Cel Mare 26a,  
 Tunari, cod.077180, Ilfov, România  
 Tel: +40 (0)77 4641899  
 ro@lcm systems.com  
 www.lcm systems.ro

Due to continual product development, LCM Systems Ltd reserves the right to alter product specifications without prior notice.

### Issue No. 1

Issue date: 28/02/2019

APPROVED

(unapproved if printed)